



A KOHLER COMPANY

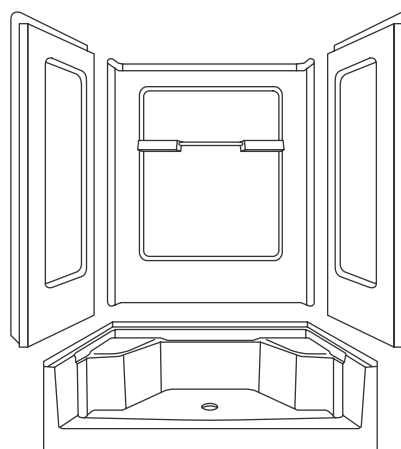
ADVANTAGE™

### Features

- Compression molded from Sterling's exclusive solid Vikrell® material
- Tongue-and-groove "snap together" design
- Durable high gloss finish
- 10 year consumer/3 year commercial limited warranty
- Backer boards allow for attachment of grab bars
- 48" (121.9 cm) x 34" (86.4 cm) x 73-1/4" (186.1 cm) complete unit rough-in dimensions include flange
- 48" (121.9 cm) x 33-3/4" (85.7 cm) x 72" (182.9 cm) complete unit rough-in dimensions include flange

### 48" (121.9 cm) SEATED SHOWER RECEPTOR AND WALL SURROUNDS WITH BACKER BOARDS

**62030106**  
ALSO 62034106



### Codes/Standards Applicable

Specified model meets or exceeds the following:

- ANSI Z124.1.2
- IAPMO/UPC
- CSA B45

### Colors/Finishes

- 0: White
- Other: Refer to Price Book for additional colors/finishes

### Specified Model

Model	Complete Unit Description	Colors/Finishes	
62030106	48" (121.9 cm) shower receptor and wall surround with backer boards	<input type="checkbox"/> 0	<input type="checkbox"/> Other_____
Model	Wall Component Description	Colors/Finishes	
62034106	Complete wall set with backer boards	<input type="checkbox"/> 0	<input type="checkbox"/> Other_____

### SterlingPlumbing.com

Visit us online for fixture color choices, detailed product information, color photos, installation instructions, care guides, and warranties. Sterling offers additional lines of plumbing products to complement the Sterling product you've chosen. Sign up for the Sterling monthly e-newsletter which showcases our latest product innovations. You may also call our Sterling Plumbing Answer Center from within the USA at 1-888-STERLING in addition to consulting with your local dealer. Sterling. Strong. Professional. Design.

# ADVANTAGE™

## Technical Information

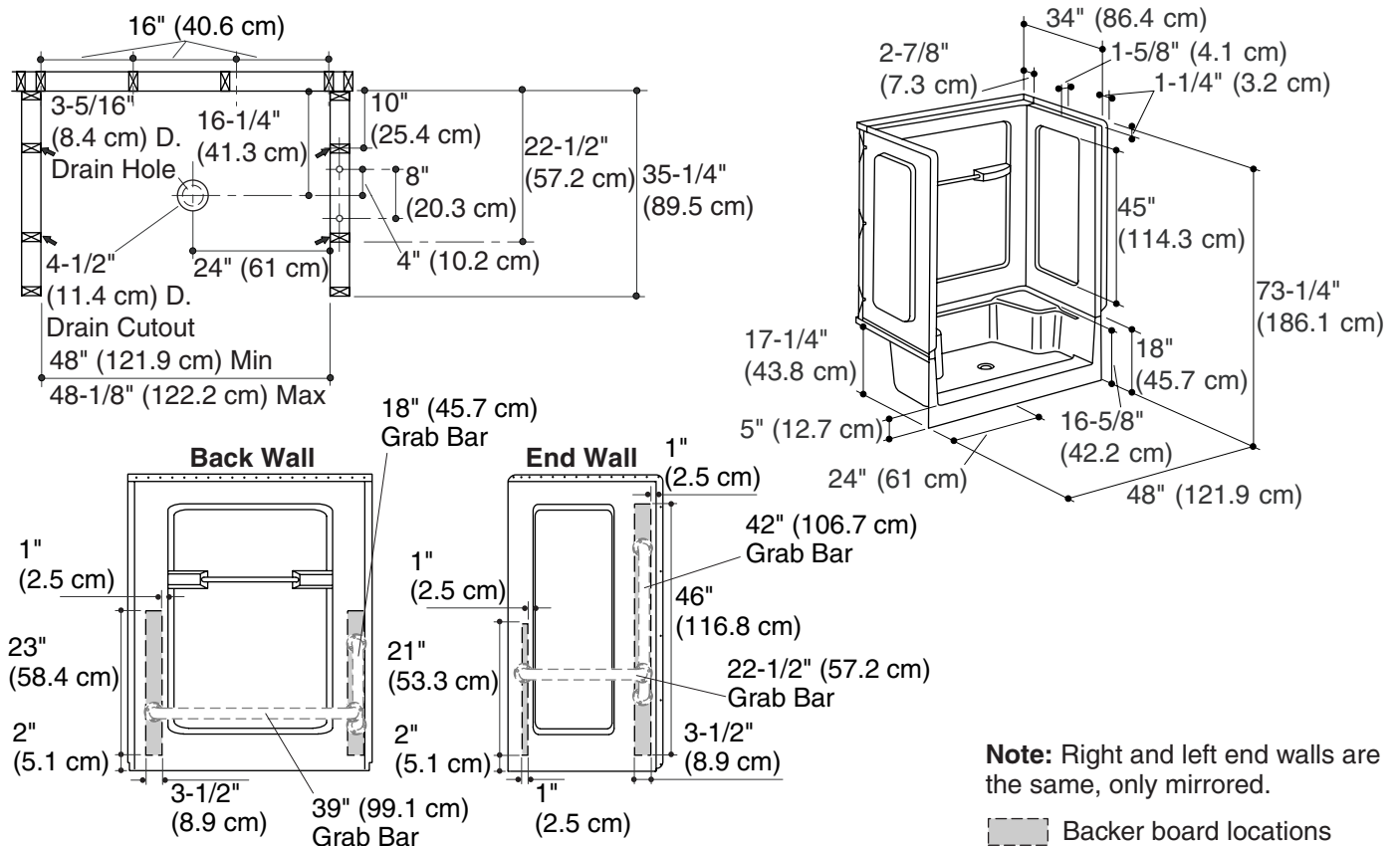
Model	Door maximum width	Door maximum height
62030106	44-3/4" (113.7 cm)	67" (170.2 cm)

## Installation Notes

Install this product according to the installation guide.

End stud positioning is critical if nailing-in flanges are to be used.

Double studding is recommended for pivot shower door installations.



## Product Diagram